

The Front of Your RCA eBook

Shortcut Icon

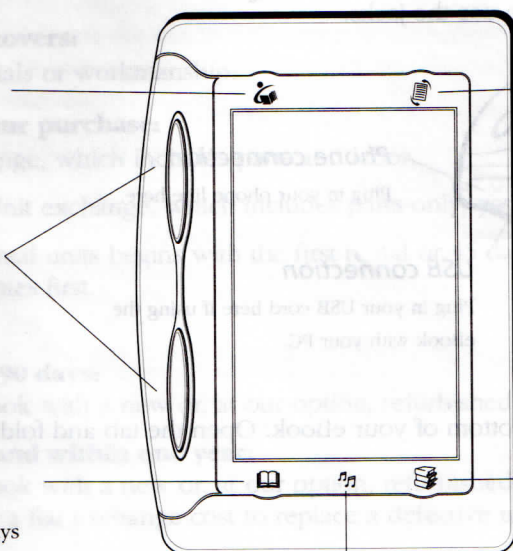
Sets up a custom shortcut command.

Page Forward / Back Buttons

These buttons change the pages when reading an eBook Edition.

Book Icon

Pressing the Book icon displays a menu of options: Notes, Bookmarks, Underline, Go To and Lookup.



Page Orientation Icon

Pressing this icon displays four arrows on-screen. Press an arrow to change the text orientation. It also calibrates the touch screen.

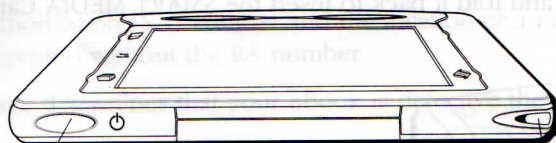
Bookshelf Icon

Shows you the four most recent editions you've viewed, and gives other options such as: eBook Shelf, Settings and About Your eBook.

Audio Icon

This icon may be used in conjunction with future audio features.

The Side of Your eBook



Power Button / IR window

Turns the power on and off. Also receives infrared signals between your computer and eBook.

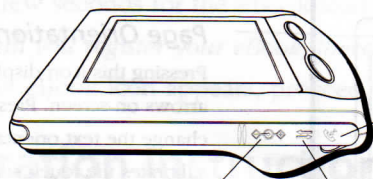
Stylus

The stylus is like a pen that can be used to select items on-screen. To use, simply push up on the device and pull out.

Features & Functions

Jacks and Other Features on Your eBook

The jacks for the phone, power and USB connections are located on the top of your eBook. Open the tab and fold it back to use the jacks.



Phone connection

Plug in your phone line here.

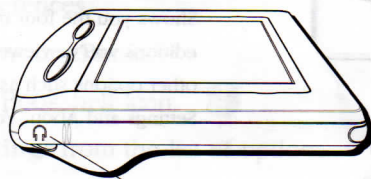
Power connection

Plug in your power adapter here.

USB connection

Plug in your USB cord here if using the eBook with your PC.

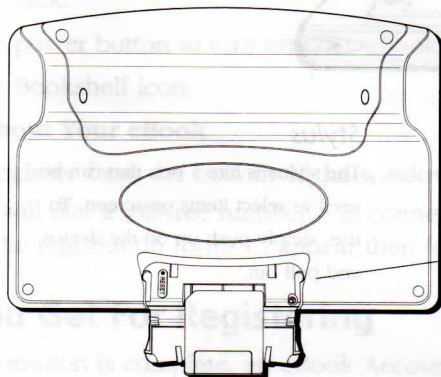
The headphone jack is located on the bottom of your eBook. Open the tab and fold it back to use the jack.



Headphone connection

Plug in headphones here.

The back of your eBook is where you will find the Smart Media Card connector. The SMART MEDIA™ Card (not included) is an optional accessory that allows you to add memory to your eBook. Open the tab and fold it back to insert the SMART MEDIA Card with the connectors facing down.



**Smart Media Card
(not included) connector**

Slide in the SMART MEDIA card here.